

**Specifications**

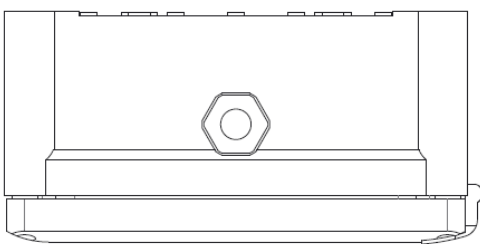
Supply voltage	230 – 240 V a.c.
Colour Temperature	5000 K
IP Rating	IP65
Net Weight	2 Kg
Ambient Temperature	-40°C to 40°C for the LED Head 10°C to 40°C for the Remote gear

**2 ways to install your Freezer Super LED Satellite**

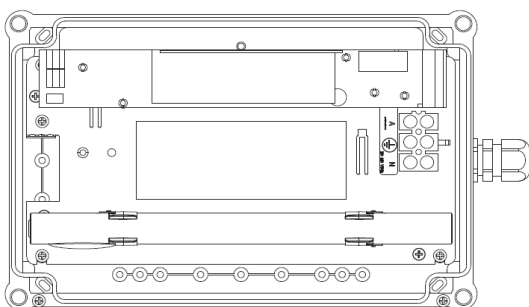
**Option1: Direct Ceiling Mount**

**Fix the remote gear to the ceiling**

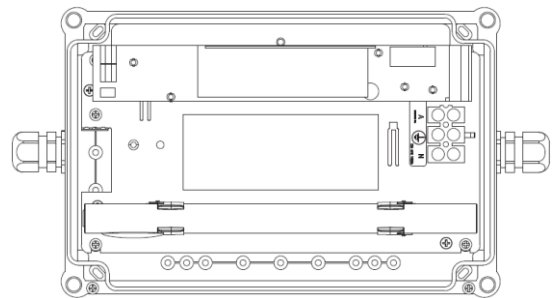
- 1) Drill a Ø20mm hole in the desired entry location for the power cable.
- 2) Install the gland into position.



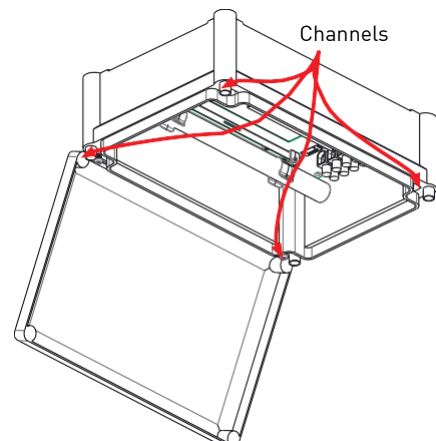
- 3) Fit the power cable through the gland and terminate into the terminal block. Use Ø10mm circular cable to maintain the IP rating.



- 4) Drill another Ø20mm hole in the desired entry location for the connecting head cable.
- 5) Install the gland into position.
- 6) Fit the head cable through the gland and tighten.

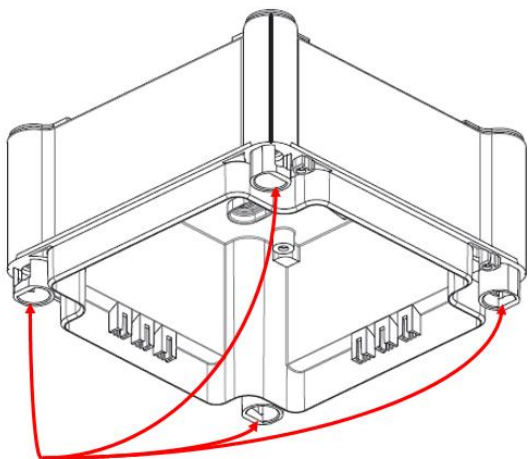


- 7) Fix the box to the ceiling through the 4 channels. Use 8 to 12 gauge screws. (not supplied)



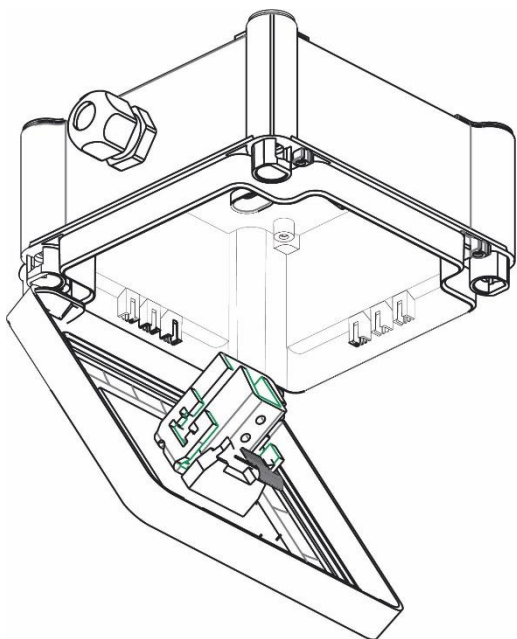
**Fix the LED head to the ceiling**

- 1) Drill a  $\varnothing 20\text{mm}$  hole on the side for the connecting head cable.
- 2) Install the gland into position.
- 3) Fit the head cable through the gland and tighten.
- 4) Fix the box to the ceiling through the 4 channels. Use 8 to 12 gauge screws. (not supplied)



Channels

- 5) Close the LED head box cover and lock into position.



**Option 2: Fix to ceiling via lugs**

- 1) Install the 4 lugs on LED head and remote gear if required.

